



# SMART RADIATOR VALVE HM31TRVi



- SMART CONNECT\*
- INTEGRATED WITH ALEXA AND GOOGLE HOME
- HIGH AND LOW TEMP ALARM MESSAGE PUSH NOTIFICATION
- HUMIDITY DISPLAY, MORE CONCERNED ABOUT YOUR ROOM ENVIROMENT
- MULTI-ZONED CONTROL

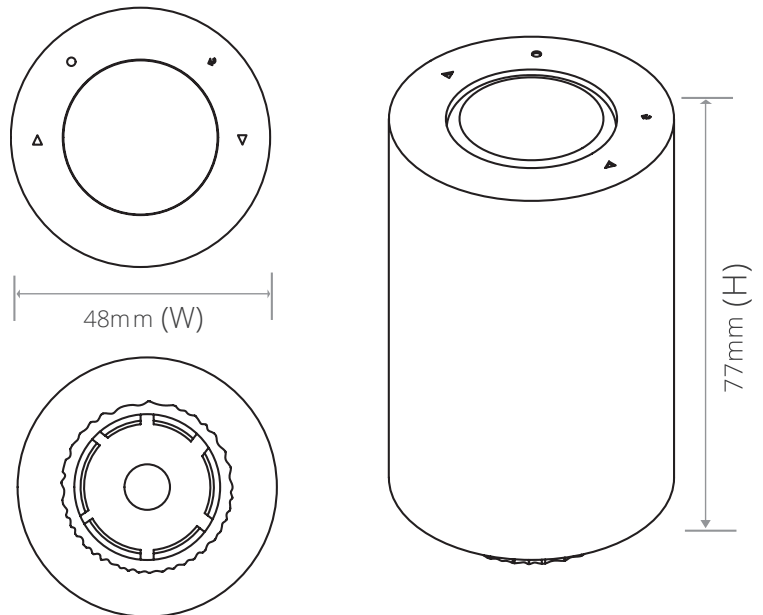
## DESCRIPTION

The new series of radiator valves are a modern and reliable solution for electric heating. Ideal for commercial buildings, hotels, student accommodation sites, holiday homes, domestic dwellings and garden offices.

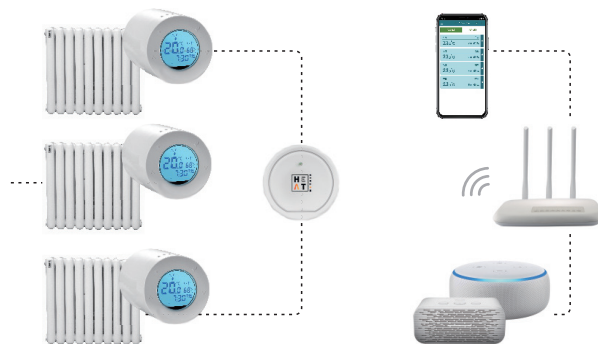
In addition to the standard functions for controlling the temperature in the house, this room thermostat also allows you to control the operation of radiators. All you have to do is pick up an iOS or Android smartphone with the free PoerSmart app installed to set and check the temperatures within your home. Through the app you can also change the operating mode or the temperature while you're away from the property. **This unit comes with a 2 year manufacturer's warranty.**

\*additional module required for Smart Connect

## DIMENSIONS



## CONFIGURATION



## TECHNICAL DATA

MODELS	OPERATING TEMP	FROST PROTECTION	POWER	DIMENSIONS (mm)			COMMUNICATION RANGE	TRANSMITTING FREQUENCY
				H	W	D		
HM31TRVi	0~50° C	7° C	2x AA Batteries	77	48	48	100m	868MHz 433MHz for option, Bidirectional

