



- OWD - OPEN WINDOW DETECTION MODE
- AUTOMATIC FROST PROTECTION @ 7°C
- CONTROLS WATER TEMPERATURE 30°C-70°C
- ErP COMPLIANT
- 6 WORKING MODES
- IR CONTROLLED



DESCRIPTION

The HM56IRPT05 is the top end choice of towel rail controllers, equipped with numerous features for the end user. Supplied with an IR controller to program and configure your schedules with a step-by-step guide. The device is ErP compliant and comes with Open Window Detection as standard. The unit is fitted with a 1.3m long white cable and is ready to be installed to a power outlet.

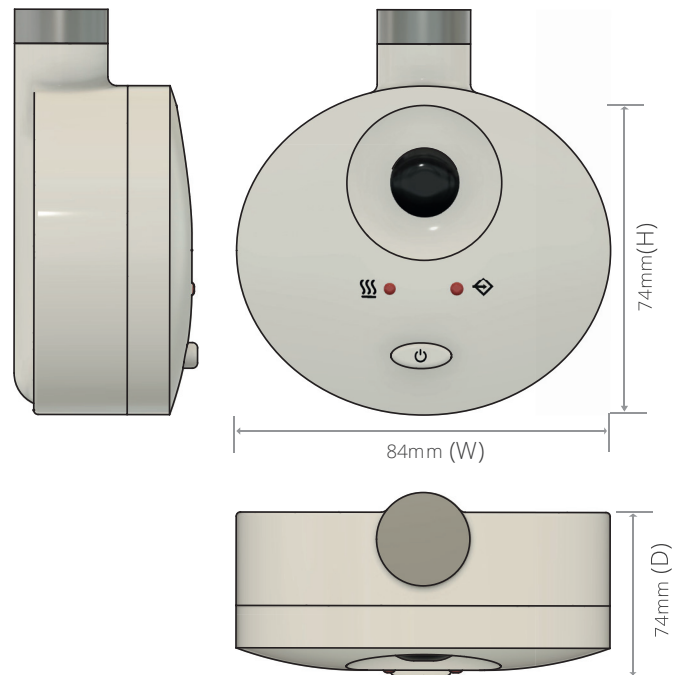
IR Remote

The infrared remote runs from 2 x AAA 1.5V batteries (supplied). It has a wall mounting bracket for easy storage and will work up to a distance of 8 metres. The remote should ideally be positioned close to the towel rail to ensure convenient use and adjustment of the towel rail controller.

This unit comes with a 2 year warranty.



DIMENSIONS



TECHNICAL DATA

MODELS	RATED VOLTAGE	OUTPUT	TEMPERATURE RANGE	INSULATION LEVEL
HM56IRPT05	230v-50Hz	100-900W	30~70°C	Class 1

