



ELECTRIC STAINLESS STEEL TOWEL RAIL

HMTR850ss



EASY INSTALL



FAST HEAT UP



SLIM DESIGN



INTUITIVE BUILT-IN CONTROLLER



LONG LASTING STAINLESS STEEL CONSTRUCTION



Built-In Controller

- 3 & 6 Hour Boost
- 3 Temperature Settings
- LED Indicators

Image for illustration purposes only. Controller is built-in, not remote control.

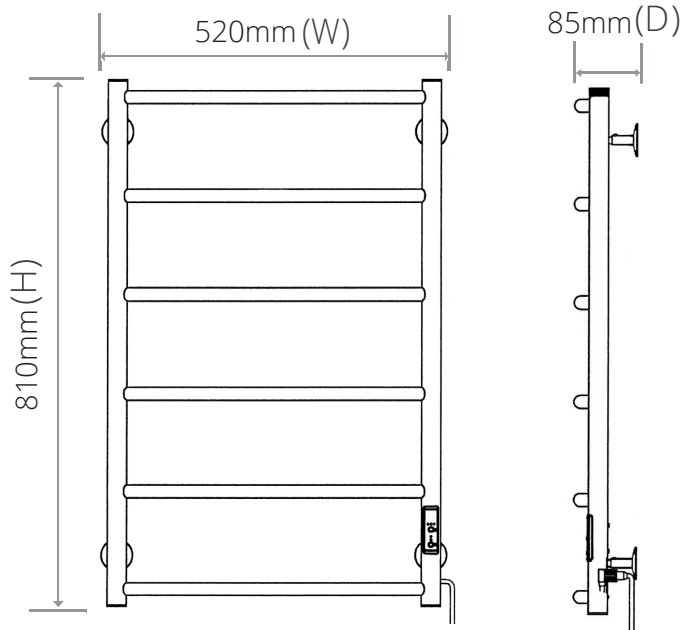
DESCRIPTION

The HMTR850SS and HMTR1150SS are made of high quality stainless steel which contains higher levels of Chromium and Nickel, increasing the towel rails resistance to oxidation, meaning it will last as long as you plan to use it for! The towel rails in this range also feature intuitive built-in controllers with 3 temperature settings and 3 & 6 hour boosts for convenient and energy efficient setting of the temperature and timers. They also feature power cable entry points on both the left and right hand side to suit any bathroom or en-suite. **This range is covered by a 3 year warranty.**

With power connections on both sides of the towel rail the fitting possibilities are suitable for left and right hand cable entry, making installation simple in comparison with tradition electric towel rails.



DIMENSIONS



TECHNICAL DATA

MODEL	FINISH	OUTPUT	DIMENSIONS (mm)			PROFILE
			H	W	D	
HMTR850SS	STAINLESS STEEL	110	810	520	85	CURVED
HMTR1150SS	STAINLESS STEEL	135	1100	520	85	CURVED

