

Description

The Communications Adapter lets you connect the latest Genius wireless devices to the Genius Hub. Genius Hub devices use two different wireless protocols (Zigbee and Z-Wave) to maintain the best reliability, battery life and security. Plug this adapter into the USB port on any Genius Hub (PH-HUB-C) and immediately your Genius Hub will be able to communicate with the new products that Genius Hub are developing.

Adding new devices to the Genius Hub is easy as the in-app doctor guides you through the process of adding radiator valves, thermostats and sensors with the help of videos to explain exactly how each one is installed.

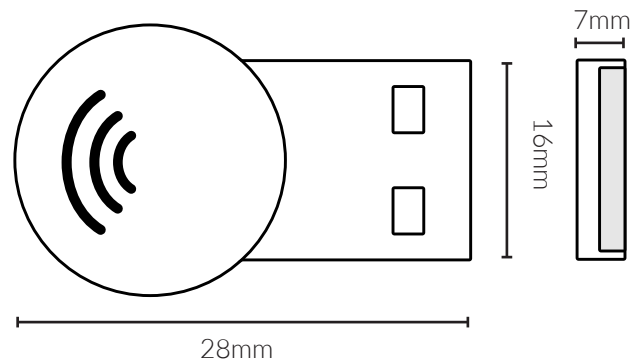
Each Genius Hub can control up to 40 devices, using either the inbuilt communication chip inside the Genius Hub, just the communications adapter or a mix of the two.

Technical Data

- Connection: USB (5V DC)
- Transmission Frequency: 2.4GHz
- Receiving Sensitivity: -99dBm
- Max Transmitting Power: 13dBm
- Operating Temperature Range: 0°C to 40°C
- Relative Humidity: 5% to 85%
- Enclosure Protection: IP20
- Regulation: SiLabs EFR32MG1 chip, IEEE 802.15.4
- RoHS Compliant
- Indoor Use Only

Genius Communications Adapter

SKU: EL-UZD-A



Installation of Communication Adapter

